


# Parts and Accessories

**CLEANING KITS**

ITEM	PART #
	Kit DDF9000

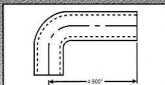
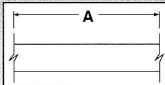
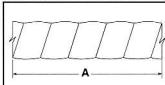
Cleans up to four 9 x 12" filters.

**REPLACEMENT SPRINGS**

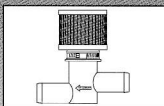
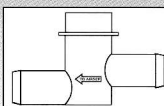
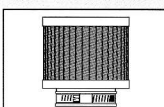
LENGTH (A)	PART #
3.5"	CD502
4.5"	CD504
5.5"	CD506
7.5"	CD510
9.5"	CD514
10.5"	CD516

All springs measured at rest.

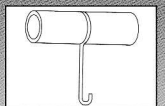
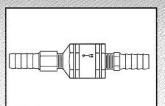
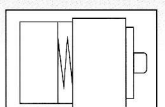
**OIL RESISTANT HOSES**

ITEM	PART #
 90° 1 1/2" Molded Hose	CD276
 1/2" Oil Return	CD288
 1 1/2" Flex Hose	CD600

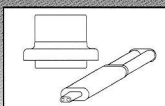
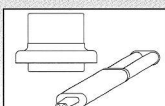
**VACUUM REGULATORS**

ITEM	PART #
 Regulator Complete	VR1000
 Regulator Body	VRB100
 Regulator Filter	CD180

**HARDWARE**

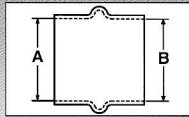
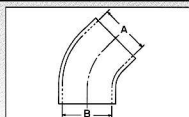
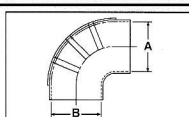
ITEM	PART #
 Spring Removal Tool	ST500196
 Oil Return Check Valve	MD105
 Restriction Indicator	CD210

**TURBO SILENCER KITS**

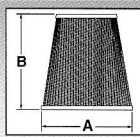
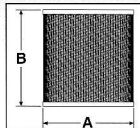
ITEM	PART #
 7.5" Turbo Silencer	AJS750
 9" Turbo Silencer	AJS1000

Silencer size matches diameter of AIRSEP body.  
All silencer kits include high strength epoxy.

**AIR INLET CONNECTION HOSES**

HUMP HOSE	PART #	CD417	CD400	CD402	CD418	CD420	CD404	CD419	CD421	CD406	CD407	CD422	CD423	CD408	CD424	CD425	CD410	CD431	CD426	CD428	CD412	CD429	CD430	CD414
	<b>A</b>	2.75"	3"	3.5"	4"	4"	4"	4"	5"	5"	5"	5.5"	5.5"	5.5"	6"	6"	6"	7"	7"	7"	7"	8"	8"	8"
	<b>B</b>	4"	3"	3.5"	3"	3.5"	4"	6"	4"	5"	5.5"	4"	5"	5.5"	5"	5.5"	6"	5"	5.5"	6"	7"	6"	7"	8"
45° HUMP HOSE	PART #	CD440	CD442	CD444	CD445	CD446	CD455	CD456																
	<b>A</b>	3"	4"	5"	5.5"	6"	7"	7"																
	<b>B</b>	3"	4"	5"	5.5"	6"	6"	7"																
90° HUMP HOSE	PART #	CD457	CD461	CD464	CD466	CD475	CD468	CD480	CD467	CD470	CD472	CD476												
	<b>A</b>	2"	3"	4"	5"	5"	5.5"	5.5"	5.5"	6"	7"	8"												
	<b>B</b>	2"	3"	4"	5"	6"	3.5"	4"	5.5"	6"	7"	8"												

**FILTER ELEMENTS**

TAPERED	PART #	CD194	CD195	CD190	CD196	CD197	CD184	CD185															
	<b>A</b>	7.5"	7.5"	7.5"	9"	9"	9"	10"															
	<b>B</b>	6"	8"	10"	9"	12"	14"	14"															
STRAIGHT	PART #	CD173	CD174	CD175	CD176	CD177	CD178	CD200	CD201	CD202	CD170	CD181	CD182	CD203	CD186	CD187	CD204	CD183	CD189	CD169			
	<b>A</b>	7.5"	7.5"	7.5"	7.5"	7.5"	7.5"	9"	9"	10"	10"	10"	10"	12"	12"	12"	12"	12"	12"	12"	16"		
	<b>B</b>	5"	6"	7"	8"	9"	10"	9"	12"	6"	8"	10"	12"	6"	7"	8"	10"	12"	14"	16"			



**Walker Engineering Enterprises**  
 8321 De Celis Place • North Hills, CA 91343  
 Tel: (818) 895-7788 • FAX: (818) 895-7785



WE-PA-96